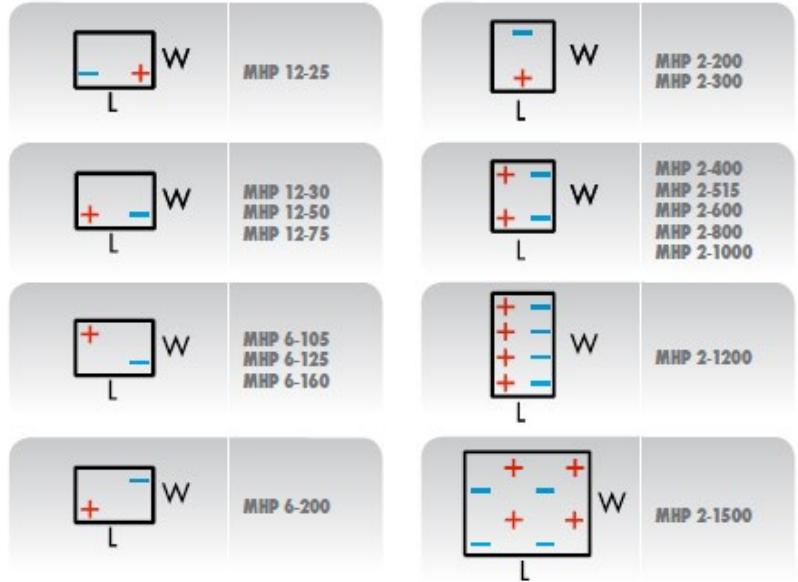


AMENDMENT OF SOLICITATION/MODIFICATION OF CONTRACT			1. CONTRACT ID CODE	PAGE OF PAGES 1 OF 2
2. AMENDMENT/MODIFICATION NO. 0001	3. EFFECTIVE DATE 3/23/2023	4. REQUISITION/PURCHASE REQ. NO. PR11468373	5. PROJECT NO. (If applicable)	
6. ISSUED BY GSO Contracting U.S. Embassy in Moscow Square of Donetsk People's Republic, 1 Moscow 121099, Russian Federation		CODE 19RS50	7. ADMINISTERED BY (If other than Item 6) CODE	
8. NAME AND ADDRESS OF CONTRACTOR (NO., street, city, county, State, and ZIP Code)			X	9a. AMENDMENT OF SOLICITATION NO. PR11468373
				9b. DATED (SEE ITEM 11) 3/13/2023
				10a. MODIFICATION OF CONTRACT/ORDER NO.
				10b. DATED (SEE ITEM 13)
11. THIS ITEM ONLY APPLIES TO AMENDMENTS OF SOLICITATIONS				
<p>[X] The above numbered solicitation is amended as set forth in Item 14. The hour and date specified for receipt of Offers [] is extended, [x] is not extended</p> <p>Offers must acknowledge receipt of this amendment prior to the hour and date specified in the solicitation or as amended, by one of the following methods: (a) By completing Items 8 and 15, and returning 1 copy of the amendment;(b) By acknowledging receipt of this amendment on each copy of the offer submitted; or(c) By separate letter or telegram which includes a reference to the solicitation and amendment numbers.</p> <p>FAILURE OF YOUR ACKNOWLEDGMENT TO BE RECEIVED AT THE PLACE DESIGNATED FOR THE RECEIPT OF OFFERS PRIOR TO THE HOUR AND DATE SPECIFIED MAY RESULT IN REJECTION OF YOUR OFFER. If by virtue of this amendment you desire to change an offer already submitted, such change may be made by telegram or letter, provided each telegram or letter makes reference to the solicitation and this amendment, and is received prior to the opening hour and date specified.</p>				
12. ACCOUNTING AND APPROPRIATION DATA (If required)				
13. THIS ITEM APPLIES ONLY TO MODIFICATIONS OF CONTRACTS/ORDERS, IT MODIFIES THE CONTRACT/ORDER NO. AS DESCRIBED IN ITEM 14.				
	A. THIS CHANGE ORDER IS ISSUED PURSUANT TO: (Specify authority) THE CHANGES SET FORTH IN ITEM 14 ARE MADE IN THE CONTRACT ORDER NO. IN ITEM 10A.			
	B. THE ABOVE NUMBERED CONTRACT/ORDER IS MODIFIED TO REFLECT THE ADMINISTRATIVE CHANGES (such as changes in paying office, appropriation date, etc.) SET FORTH IN ITEM 14, PURSUANT TO THE AUTHORITY OF FAR 43.103(b)			
	C. THIS SUPPLEMENTAL AGREEMENT IS ENTERED INTO PURSUANT TO AUTHORITY OF:			
	D. OTHER (Specify type of modification and authority)			
E. IMPORTANT: Contractor [x] is not, [] is required to sign this document and return 1 copy to the issuing office.				
14. DESCRIPTION OF AMENDMENT/MODIFICATION (Organized by UCF section headings, including solicitation/contract subject matter where feasible.)				
The purpose of this amendment is to answer questions that have been asked by potential offerors (See page 2).				
All other terms and conditions of the solicitation listed in Block 9A remain unchanged.				
15A. NAME AND TITLE OF SIGNER (Type or print)			16A. NAME OF CONTRACTING OFFICER John T. Stremel	
15B. NAME OF CONTRACTOR/OFFEROR BY _____ (Signature of person authorized to sign)	15C. DATE SIGNED	16B. UNITED STATES OF AMERICA BY _____ (Signature of Contracting Officer)		16C. DATE SIGNED

Questions and Answers

Q1: Can the Embassy provide technical information about the existing 380-volt battery banks that are being replaced?

A1: Yes, see below. The existing batteries are the MPH 2-300 ones in square red box below.



Type	Nominal Voltage (V)	Actual Capacity (Ah/8hrs)	Ri (mOhm)	Isc (kA)	Dimensions						Weight		Terminals
					L (mm)	L (in)	W (mm)	W (in)	H (mm)	H (in)	(kg)	(lb)	
MHP 12-25	12	25	19.207	0.653	166.0	6.5	175.0	6.9	125.0	4.9	8.0	17.6	(2x) D10 M5
MHP 12-30	12	32	11.348	1.119	195.0	7.7	130.0	5.1	163.0	6.4	10.5	23.1	(2x) D12 M6
MHP 12-50	12	53	8.511	1.492	228.0	9.0	138.0	5.4	213.0	8.4	17.2	37.9	(2x) D16 M6
MHP 12-75	12	77	8.047	1.563	350.0	13.8	167.0	6.6	179.0	7.0	23.2	51.1	(2x) D16 M6
MHP 6-105	6	101	2.536	2.462	195.0	7.7	206.0	8.1	240.0	9.4	22.4	49.4	(2x) D18 M8
MHP 6-125	6	123	2.250	2.765	278.0	10.9	178.0	7.0	258.0	10.2	25.5	56.2	(2x) D18 M8
MHP 6-160	6	156	1.730	3.580	278.0	10.9	178.0	7.0	258.0	10.2	30.6	67.5	(2x) D18 M8
MHP 6-200	6	198	1.841	3.421	250.5	9.9	125.5	4.9	365.0	14.4	33.7	74.3	(2x) D18 M8
MHP 2-200	2	198	0.506	4.068	110.0	4.3	208.0	8.2	260.0	10.2	13.5	29.8	(2x) D18 M8
MHP 2-300	2	298	0.323	6.376	142.0	5.6	205.0	8.1	260.0	10.2	18.6	41.0	(2x) D18 M8
MHP 2-400	2	398	0.306	6.785	208.0	8.2	195.0	7.7	258.0	10.2	25.6	56.4	(4x) D18 M8
MHP 2-515	2	512	0.206	9.987	203.0	8.0	296.0	11.7	240.0	9.4	34.7	76.5	(4x) D18 M8
MHP 2-600	2	579	0.232	8.932	175.0	6.9	252.0	9.9	357.5	14.1	36.0	79.4	(4x) D20 M8
MHP 2-800	2	772	0.235	8.740	173.0	6.8	350.0	13.8	347.0	13.7	49.0	108.0	(4x) D20 M8
MHP 2-1000	2	966	0.179	11.471	173.0	6.8	430.0	16.9	347.0	13.7	59.5	131.2	(4x) D20 M8
MHP 2-1200	2	1159	0.176	11.693	175.0	6.9	510.0	20.1	347.0	13.7	71.5	157.6	(8x) D18 M8
MHP 2-1500	2	1449	0.172	11.868	318.0	12.5	341.0	13.4	351.0	13.8	86.5	190.7	(8x) D18 M8

[END OF QUESTIONS AND ANSWERS]